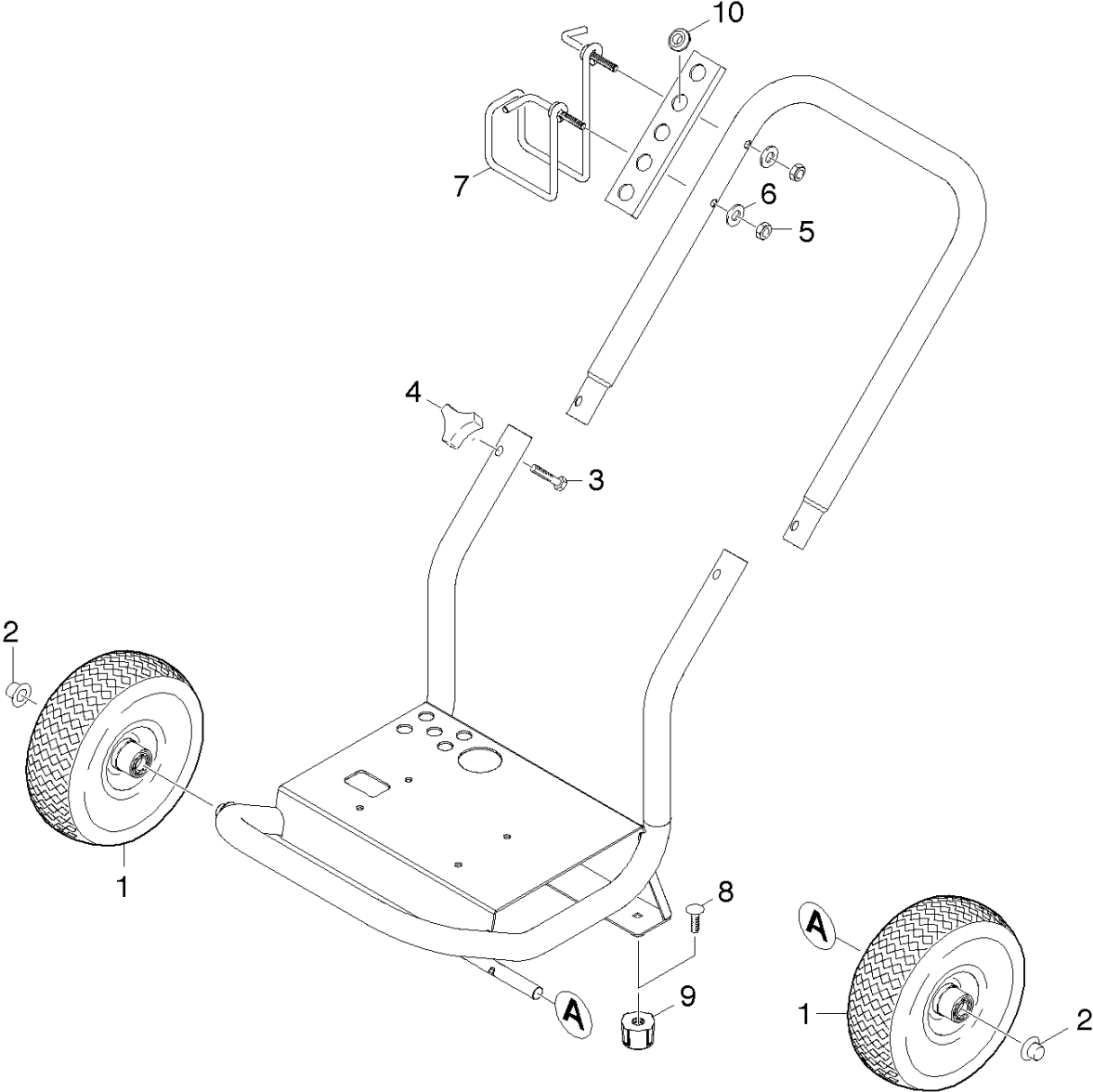


Spare parts list
(91393530) Spare parts list G 2500 OH

Spare parts list G 2500 OH (91393530).....	6
10 Frame (01031830).....	7
20 Pump set (01086720).....	9
21 Cylinder head (01086730).....	10
4 Spare part set chemistry (28838620).....	12
22 Piston (01086740).....	13
23 Cylinder head (01089200).....	15
9 Spare part set chemistry (28838620).....	17
24 Piston (01089210).....	18
30 Motor (01129640).....	20
31 Motor (01129650).....	21
32 Transmission (01129660).....	23
33 Transmission (01089250).....	25
40 Accessories (01089510).....	27
41 Accessories (01489480).....	28
42 Accessories (01089520).....	30

Spare parts list G 2500 OH (91393530)

pos	Article no.	Description	from ser.nr.	up to ser.nr.
10	01031830	Frame	0000000000	0000000000
20	01086720	Pump set	0000000000	0000000000
30	01129640	Motor	0000000000	0000000000
40	01089510	Accessories	0000000000	0000000000

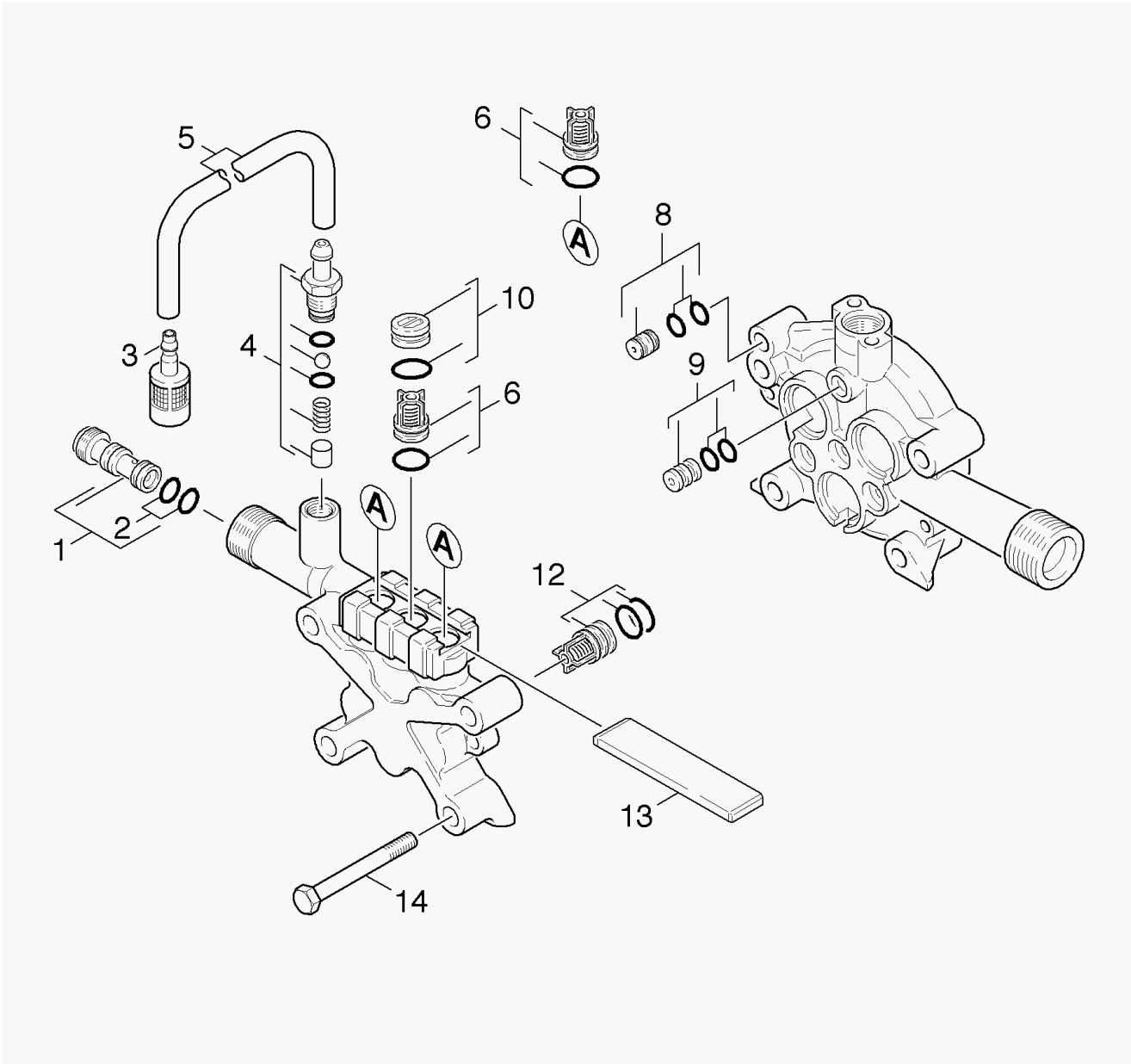


10 Frame (01031830)

pos	Article no.	Description	Quantity	Selling Unit	from ser.nr.	up to ser.nr.
1	91890070	WHEEL 10" X 3.50" PNEU	2.000	ST	0000000000	0000000000
2	91820040	Cap	2.000	ST	0000000000	0000000000
3	91963070	1/4-20 x 1-1/2 GR 2 HEX BOLT ZINC	2.000	ST	0000000000	0000000000
4	91823530	KNOB 1/4"-20,3PT. STAR	2.000	ST	0000000000	0000000000
5	53101050	5/16"-18 FINISHED HEX NUT ZINC	2.000	ST	0000000000	0000000000
6	91980030	5/16 INTERNAL L/W .332 ID X .620 OD ZINC	2.000	ST	0000000000	0000000000
7	91420140	HANGER RT SIDE	1.000	ST	0000000000	0000000000
8	91963080	5/16-18 X 1/2 CARRIAGE BOLT A307 BLK	2.000	ST	0000000000	0000000000
9	91834050	RUBBER DAMPENER 5/16"-18FEMALE 2001	2.000	ST	0000000000	0000000000
10	91772040	Sleeve rubber	4.000	ST	0000000000	0000000000

20 Pump set (01086720)

pos	Article no.	Description	from ser.nr.	up to ser.nr.	var. information
21	01086730	Cylinder head	0000000000	0000000000	VERSION 1
22	01086740	Piston	0000000000	0000000000	VERSION 1
23	01089200	Cylinder head			VERSION 2
24	01089210	Piston			VERSION 2

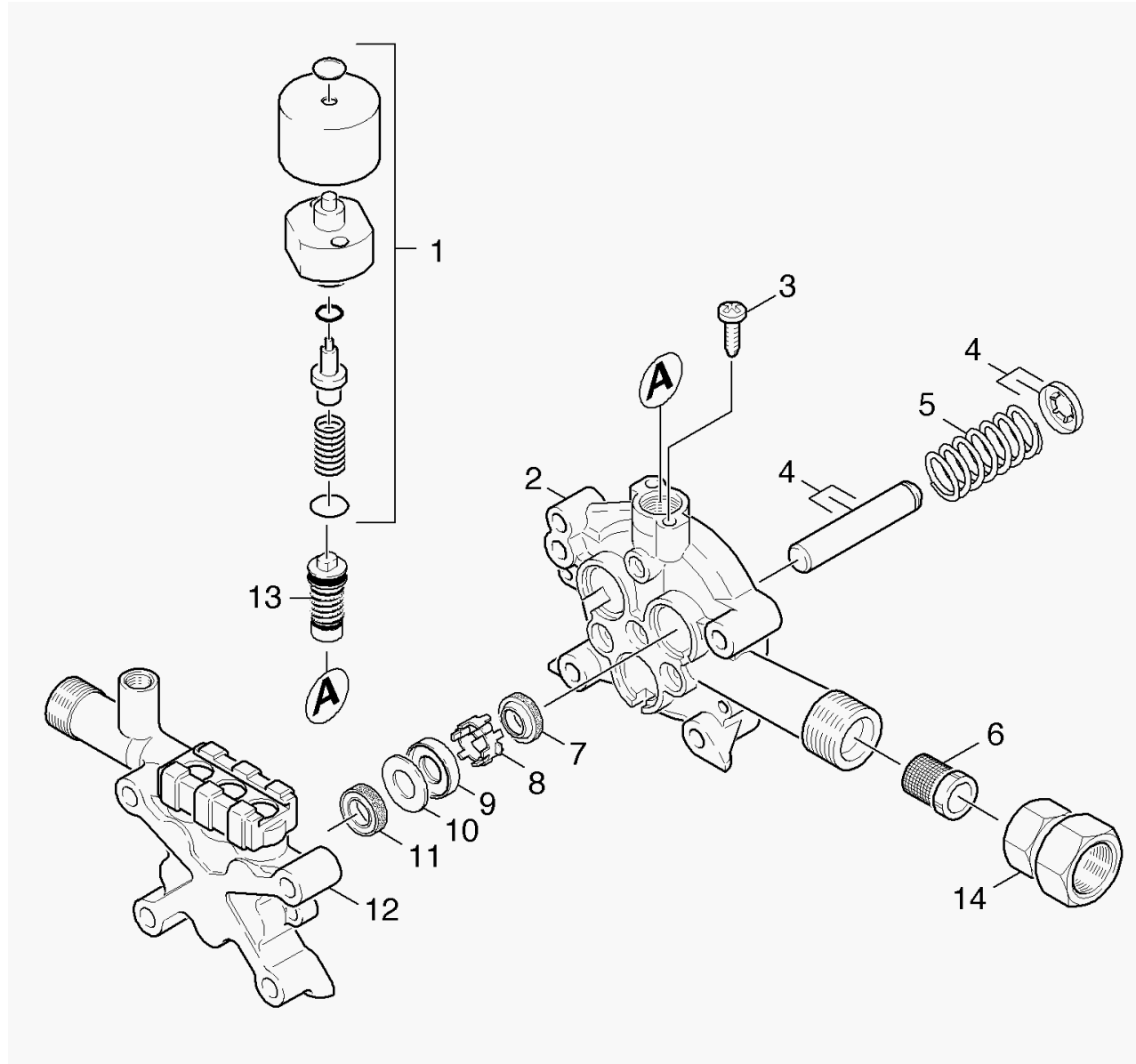


21 Cylinder head (01086730)

ET/VT	pos	Article no.	Description	Quantity	Selling Unit	from ser.nr.	up to ser.nr.	Fußnotentext
	1	47690350	Nozzle insert	1.000	ST	0000000000	0000000000	
	2	63623840	O-Ring seal 9,0 x 1,5	2.000	ST	0000000000	0000000000	
	3	48620320	Filter chemistry regulation	1.000	ST	0000000000	0000000000	
	4	28838620	Spare part set chemistry	1.000	ST	0000000000	0000000000	
	5	63882160	Hose DN 5	1.000	M	0000000000	0000000000	TO ORDER AS CUT GOODS
	6	28848720	Valve (3 Stueck)	1.000	ST	0000000000	0000000000	
	8	40301090	Throttle complete	1.000	ST	0000000000	0000000000	
	9	40301250	Joining piece only for replacement	1.000	ST	0000000000	0000000000	
	10	41320070	Drain plug only for replacement	3.000	ST	0000000000	0000000000	
X-X	12	45803300	Suction valve complete	3.000	ST	0000000000	0000000000	
	13	50030620	Plate	1.000	ST	0000000000	0000000000	
	14	73040970	Hexagonal head screw M8x70-8.8-A2E ISO	4.000	ST	0000000000	0000000000	

4 Spare part set chemistry (28838620)

pos	Article no.	Description	Quantity	Selling Unit
10	51107140	Sleeve	1.000	ST
20	53322580	Helical spring	1.000	ST
30	53800140	Label	1.000	ST
40	54434480	Nipple chemistry	1.000	ST
50	63621750	O-Ring seal 5,28x 1,78	1.000	ST
60	63624510	O-Ring seal 8,0 x 1,0	1.000	ST
70	74019090	Sphere 7 G40 -1.4401 DIN 5401	1.000	ST

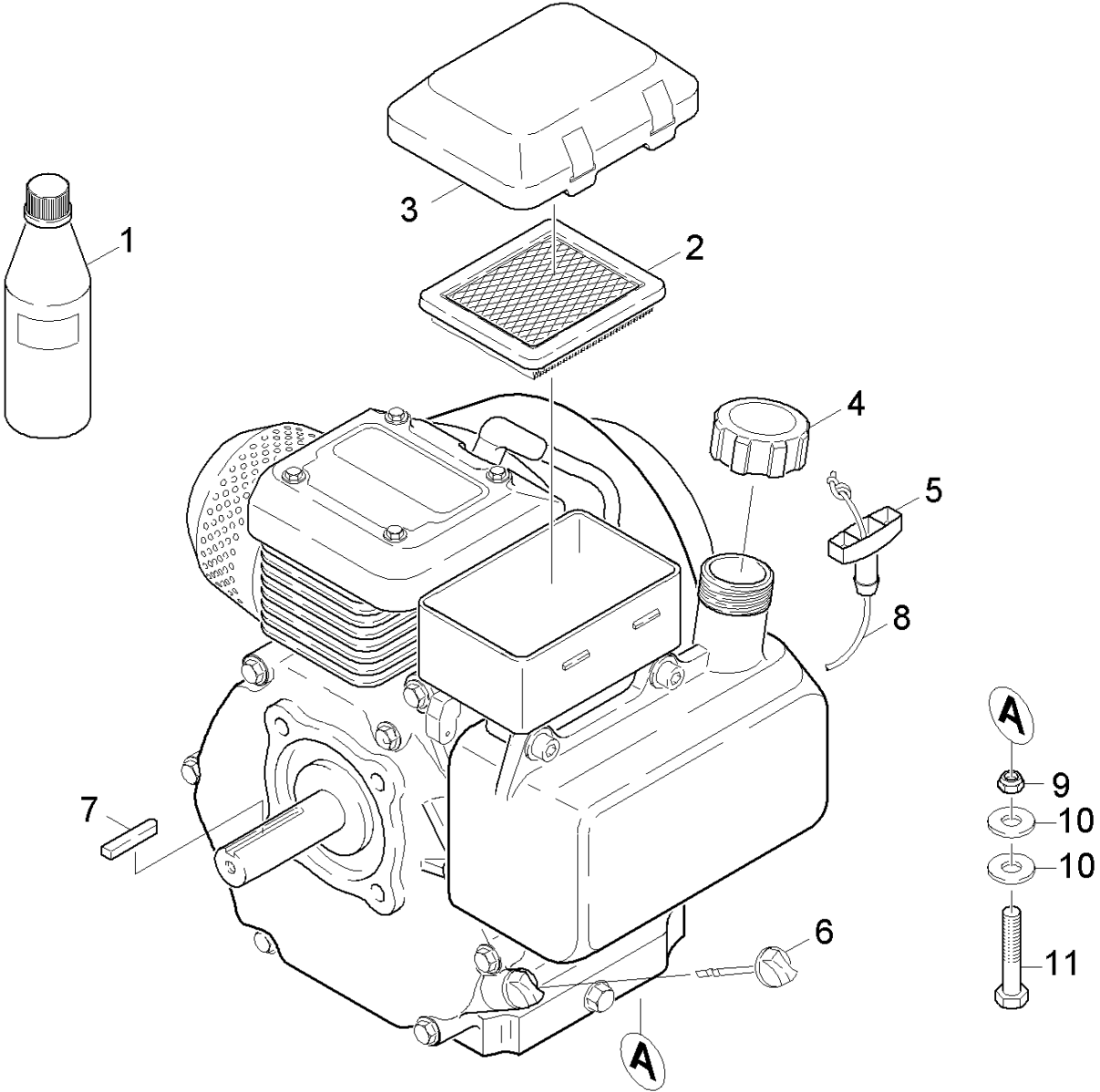


22 Piston (01086740)

ET/VT	pos	Article no.	Description	Quantity	Selling Unit	from ser.nr.	up to ser.nr.
	1	45803590	Therموالve 60 GRD	1.000	ST	0000000000	0000000000
	2	50610820	Piston guidance	1.000	ST	0000000000	0000000000
	3	73030660	Screw M6x30 -St-R3R (In6Rd)	2.000	ST	0000000000	0000000000
	4	45531730	Piston complete	3.000	ST	0000000000	0000000000
	5	53323910	Pressure spring	3.000	ST	0000000000	0000000000
	6	64142520	Strainer	1.000	ST	0000000000	0000000000
	7	63653930	Oil sealing 12x20x4/6	3.000	ST	0000000000	0000000000
	8	51107070	Sleeve	3.000	ST	0000000000	0000000000
	9	51157200	Washer	3.000	ST	0000000000	0000000000
	10	51157210	Washer	3.000	ST	0000000000	0000000000
X-X	11	63653940	Grooved ring	3.000	ST	0000000000	0000000000
	12	55502940	Cylinder head	1.000	ST	0000000000	0000000000
	13	45910400	SPILL VALVE COMPLETE	1.000	ST	0000000000	0000000000
	14	91540090	Coupling element 3/4"	1.000	ST	0000000000	0000000000

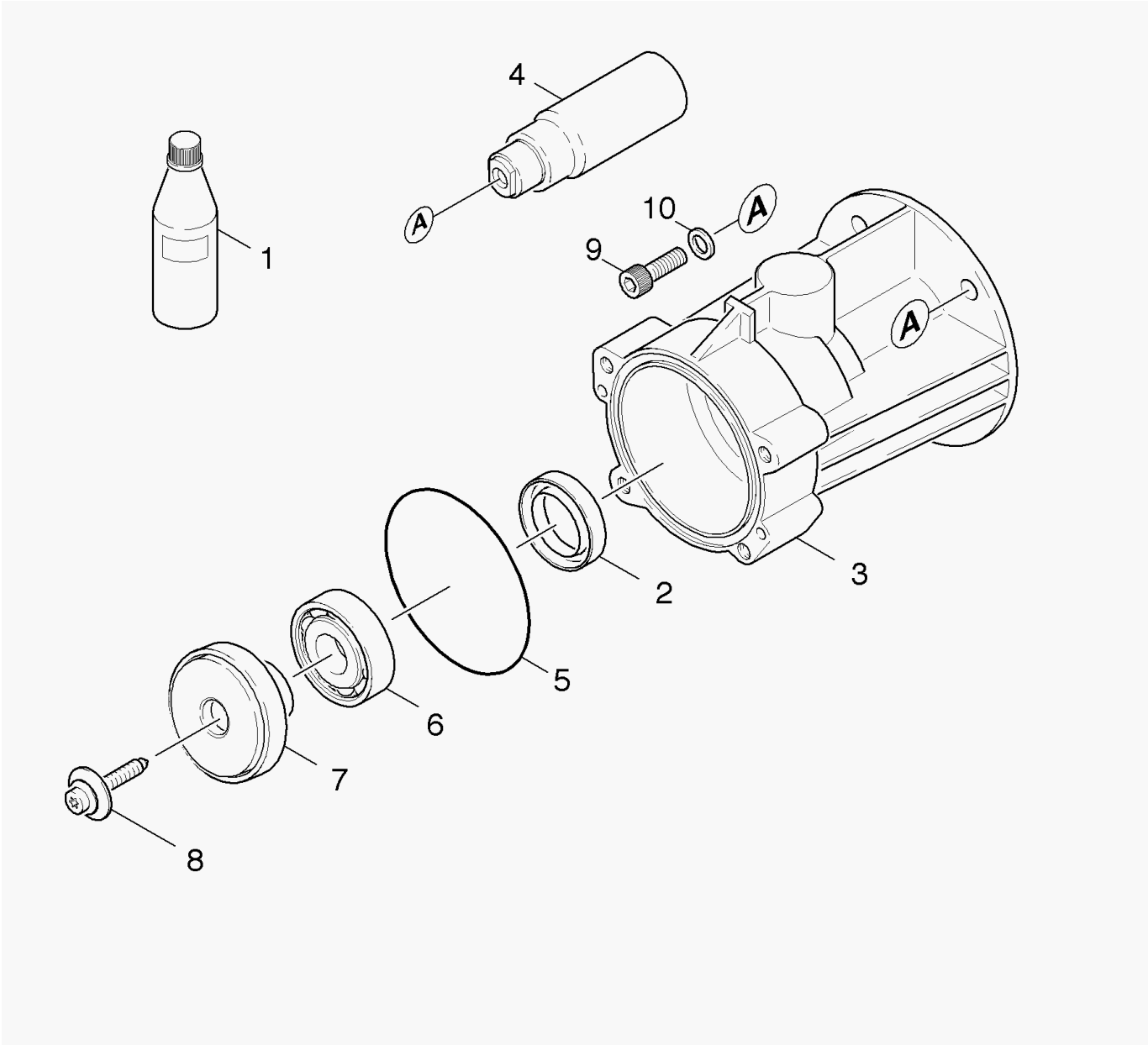
30 Motor (01129640)

pos	Article no.	Description	from ser.nr.	up to ser.nr.	var. information
31	01129650	Motor	0000000000	0000000000	
32	01129660	Transmission	0000000000	0000000000	VERSION 1
33	01089250	Transmission			VERSION 2



31 Motor (01129650)

pos	Article no.	Description	Quantity	Selling Unit	from ser.nr.	up to ser.nr.	Fußnotentext
1	62880500	Engine oil 1L	1.000	ST	0000000000	0000000000	MOTOR 1,1L
2	64917260	Air filter insert	1.000	ST	0000000000	0000000000	
3	91945430	Cover	1.000	ST	0000000000	0000000000	
4	64917230	Cap of a tank	1.000	ST	0000000000	0000000000	
5	64915030	Handhold	1.000	ST	0000000000	0000000000	
6	91945310	OIL DIP ROD	1.000	ST	0000000000	0000000000	
7	91945460	SHAFT KEY 3/16" SQ X 1.5"	1.000	ST	0000000000	0000000000	
8	64915460	Pull cord	1.000	ST	0000000000	0000000000	
9	91970020	5/16-18 NE NYLON INSERT L/N ZC 5UM	4.000	ST			
10	77779990	Stockpiling discontinued	8.000	ST			
11	98027130	BOLT, 5/16" X 1-1/2", NC HH(612975)	4.000	ST			

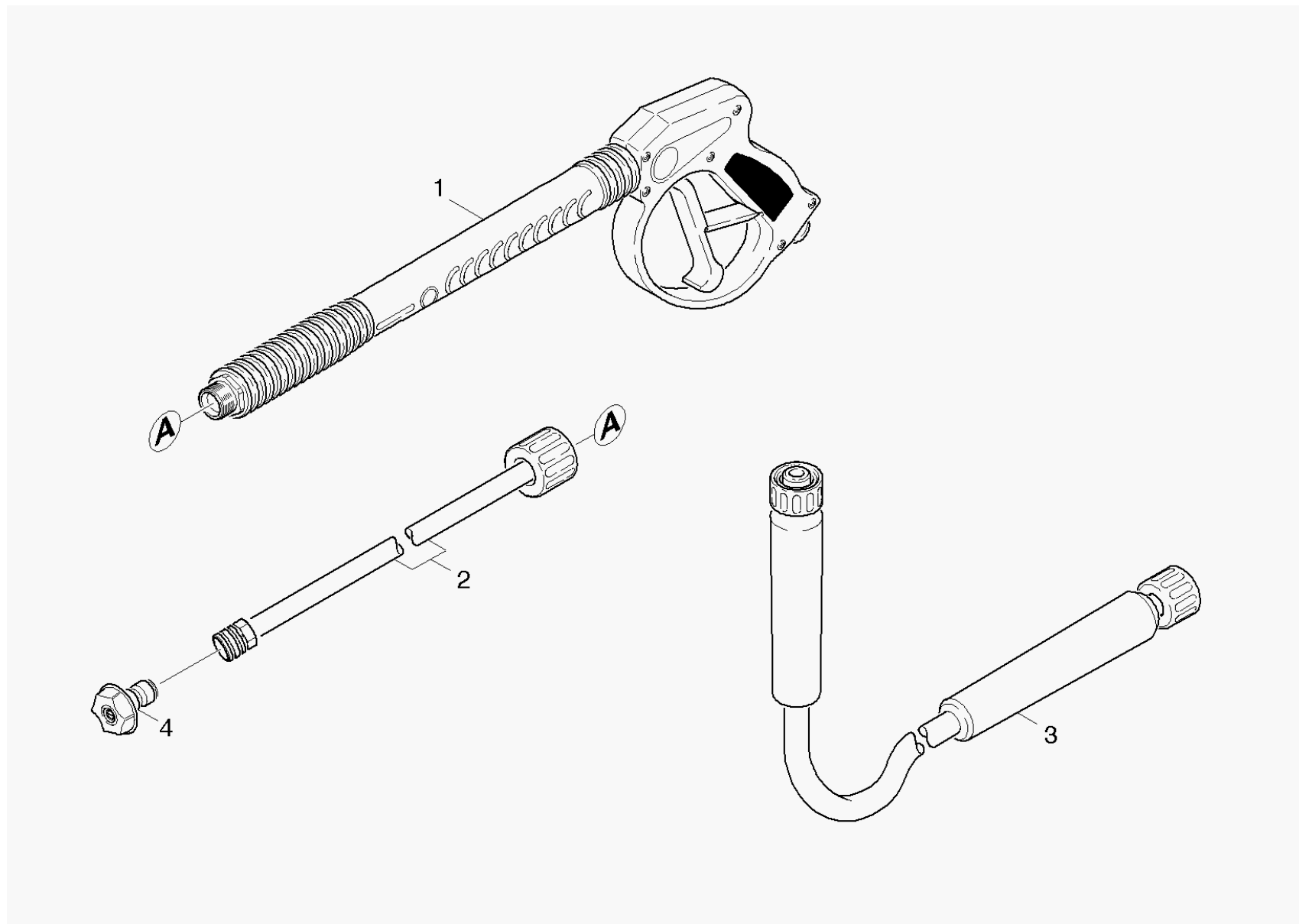


32 Transmission (01129660)

pos	Article no.	Description	Quantity	Selling Unit	from ser.nr.	up to ser.nr.
1	62880500	Engine oil 1L	1.000	ST	0000000000	0000000000
2	73670180	Radial shaft seal ring A26x37x7 -NBR DI	1.000	ST	0000000000	0000000000
3	50931060	Housing horizontal	1.000	ST	0000000000	0000000000
4	54710880	Coupling element horizontal	1.000	ST	0000000000	0000000000
5	63624710	O-Ring seal 80,0 X 3,0 -NBR 70	1.000	ST	0000000000	0000000000
6	74011550	Ball bearing 6304-WAELZLAGERST DIN 625	1.000	ST	0000000000	0000000000
7	64012890	Wobble plate	1.000	ST	0000000000	0000000000
8	63040480	Cylinder head screw M6x19	1.000	ST	0000000000	0000000000
9	69650070	5/16-24X1 GR 5 SHCS THRU HARDENED ZC	4.000	ST	0000000000	0000000000
10	51156560	Washer	4.000	ST	0000000000	0000000000

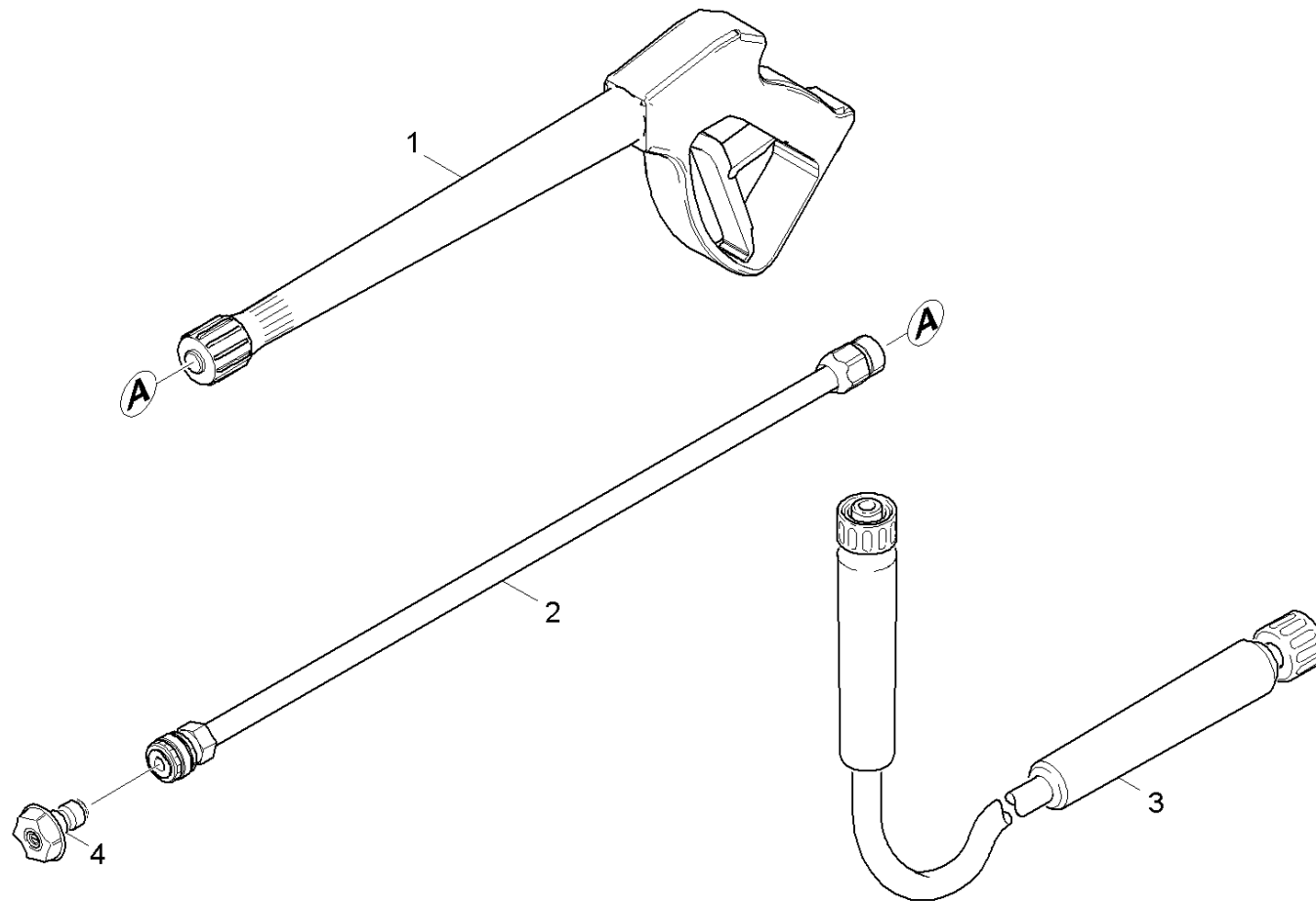
40 Accessories (01089510)

pos	Article no.	Description	var. information
41	01489480	Accessories	VERSION 1
42	01089520	Accessories	VERSION 2



41 Accessories (01489480)

pos	Article no.	Description	Quantity	Selling Unit	from ser.nr.	up to ser.nr.
1	91120140	TRIGGER GUN, AL BIT	1.000	ST	0000000000	0000000000
2	91125150	SPRAY LANCE-Replaced with 9112-520.0	1.000	ST	0000000000	0000000000
3	91623210	HP HOSE DN6/25'/3000/KA/BLK/PLSTC	1.000	ST	0000000000	0000000000
4	91040160	QUICK CONNECT NOZZLE KIT (0325)	1.000	ST	0000000000	0000000000



42 Accessories (01089520)

pos	Article no.	Description	Quantity	Selling Unit	from ser.nr.	up to ser.nr.
1	91120170	AL5 GUN 4000 PSI	1.000	ST	0000000000	0000000000
2	91125260	LANCE- AL QUICK CONNECT MALE 3000 PSI	1.000	ST	0000000000	0000000000
3	91623210	HP HOSE DN6/25'/3000/KA/BLK/PLSTC	1.000	ST	0000000000	0000000000
4	91040160	QUICK CONNECT NOZZLE KIT (0325)	1.000	ST	0000000000	0000000000